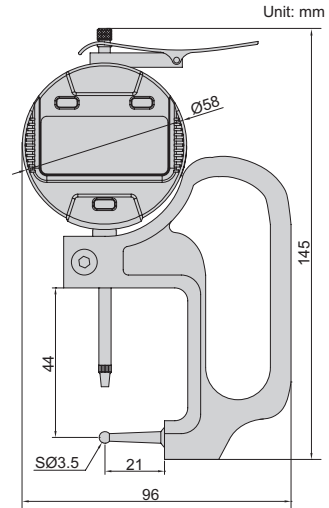
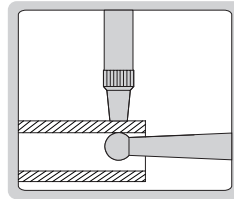


DIGITAL TUBE THICKNESS GAGE

DATA
OUTPUT



2876-10



- Buttons: on/off, zero, mm/inch
- Battery CR2032, automatic power off
- Data output
- Optional accessory: data output system(code **7306-40**, **7302-SPC3A**, **7305-SPC1A**)

Code	Range	Resolution	Accuracy
2876-10	0-10mm/0-0.4"	0.01mm/0.0005"	±0.02mm