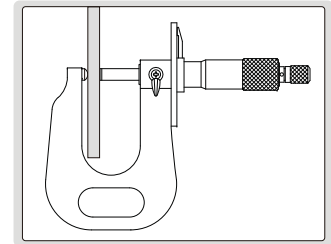
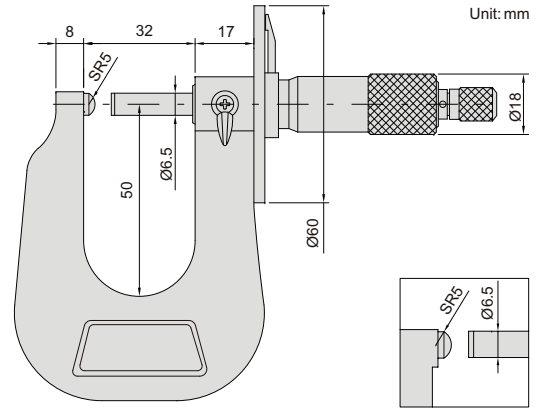


SHEET METAL MICROMETER



3263-25A



Code	Range	Accuracy
3263-25A	0-25mm	4 μ m

- Measure thickness of sheet metal, paper, plastic and rubber parts
- Graduation 0.01mm
- Ratchet stop
- Carbide measuring faces