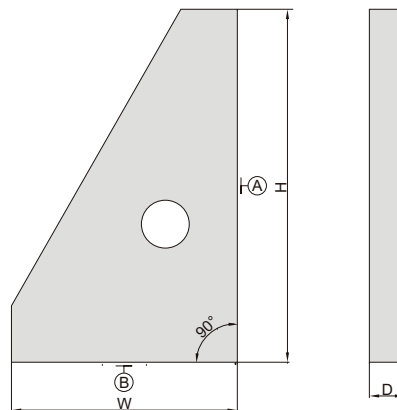


GRANITE SQUARE



4141-250



Code	Size (HxW)	Flatness of A	Flatness of B	Squareness of A to B	D
4141-250	250x160mm	1 μ m	1 μ m	2 μ m	25mm
4141-400	400x250mm	1.5 μ m	1 μ m	3 μ m	40mm
4141-630	630x400mm	2 μ m	1.5 μ m	4 μ m	63mm